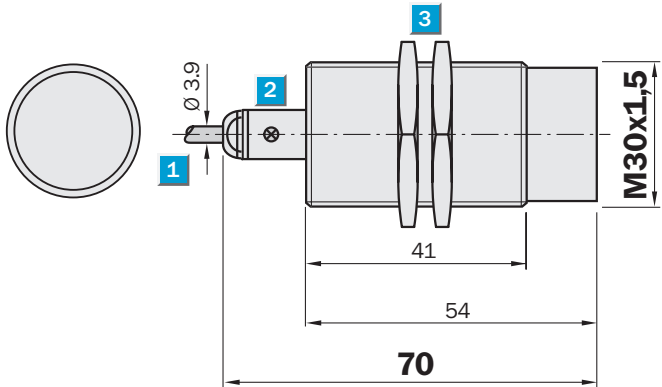
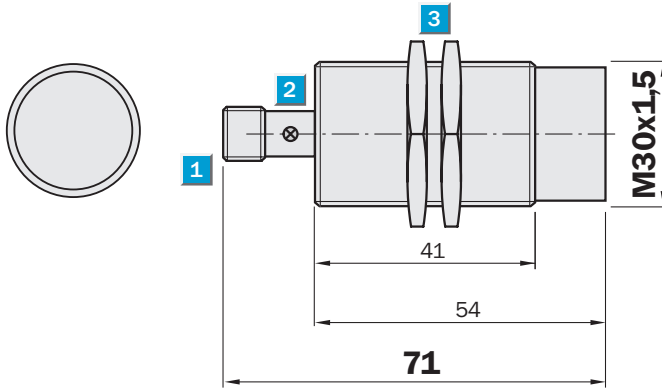


Sensing range
15 mm

Inductive sensor

- Short-circuit protection (pulsed)
- Robust brass housing, nickel-plated with fine thread M30 x 1.5 mm
- Enclosure rating IP 67
- Installation non-flush

Dimensional drawing

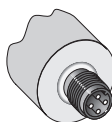


- 1 Connection
- 2 Display LED
- 3 Fastening nuts (2 x); width across 36, metal

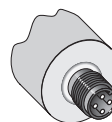
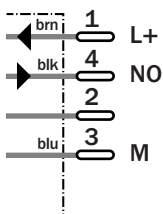


Connection type

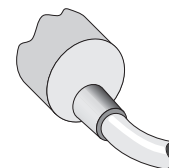
IME30-15NNSZC0S	IME30-15NNOZC0S	IME30-15NNOZW2S
IME30-15NPSZC0S	IME30-15NPOZC0S	IME30-15NNSZW2S
		IME30-15NPOZW2S
		IME30-15NPSZW2S



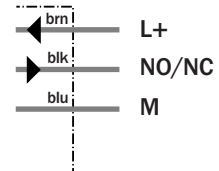
M12, 4-pin



M12, 4-pin



3 x 0.5 mm²



Accessories

Connector, M12, 4-pin

Mounting systems

Technical specifications		IME30-	15NNO ZC0S	15NNO ZW2S	15NNS ZC0S	15NNS ZW2S	15NPO ZC0S	15NPO ZW2S	15NPS ZC0S	15NPS ZW2S		
Sensing range S_n	15 mm											
Electrical configuration	DC3-wire											
Supply voltage V_s	DC 10 ... 30 V											
Nominal voltage V_n	DC											
Ripple U_{pp}	≤ 10 %											
Voltage drop U_d	≤ 2 V ¹⁾											
Power consumption	≤ 10 mA ²⁾											
Continuous current I_a	≤ 200 mA											
Time delay before availability t_v	≤ 125 ms											
Hysteresis H, of s_r	5 ... 15 %											
Repeatability R	≤ 2 % (U_b and T_a constant) ³⁾											
Temperature drift, of s_r	± 10 %											
EMC	According to EN 60947-5-2											
Switching output	NPN											
	PNP											
Output function	Normally closed											
	Normally open											
Installation	Non-flush											
Connection type	Connector, M12, 4-pin											
	Cable, PVC, 2 m											
Enclosure rating	IP 67 ⁴⁾											
Max. switching frequency	500 Hz											
Dimensions	M30 x 1.5 ⁵⁾											
Short-circuit protection	✓ ⁶⁾											
Reverse polarity protection	✓											
Power-up pulse suppression	✓											
Shock/vibration stress	30 g, 11 ms/10 ... 55 Hz, 1 mm											
Ambient temperature T_a	-25 °C ... +75 °C											
Housing material	Brass nickel-plated, plastic (PA6)											
Tightening torque	100 Nm											
Approvals												
Protection class	<input type="checkbox"/>											
UL approval	cULus Listed											

¹⁾ At I_a max
²⁾ Without load

³⁾ Of s_r
⁴⁾ According to EN 60529

⁵⁾ Thread diameter x pitch (mm)
⁶⁾ (Pulsed)

Reduction factor R_M

The following are reference values, which may vary from type to type:

St37 (Fe)	1
Stainless steel (V2A)	Approx. 0.8
Aluminum (solid)	Approx. 0.45
Copper (Cu)	Approx. 0.4

Installation note

Mounting based on non-ferromagnetic materials

Ordering information

Type	Part Number
IME30-15NNOZC0S	1041026
IME30-15NNOZW2S	1041028
IME30-15NNSZC0S	1041022
IME30-15NNSZW2S	1041024
IME30-15NPOZC0S	1041018
IME30-15NPOZW2S	1041020
IME30-15NPSZC0S	1041014
IME30-15NPSZW2S	1041016